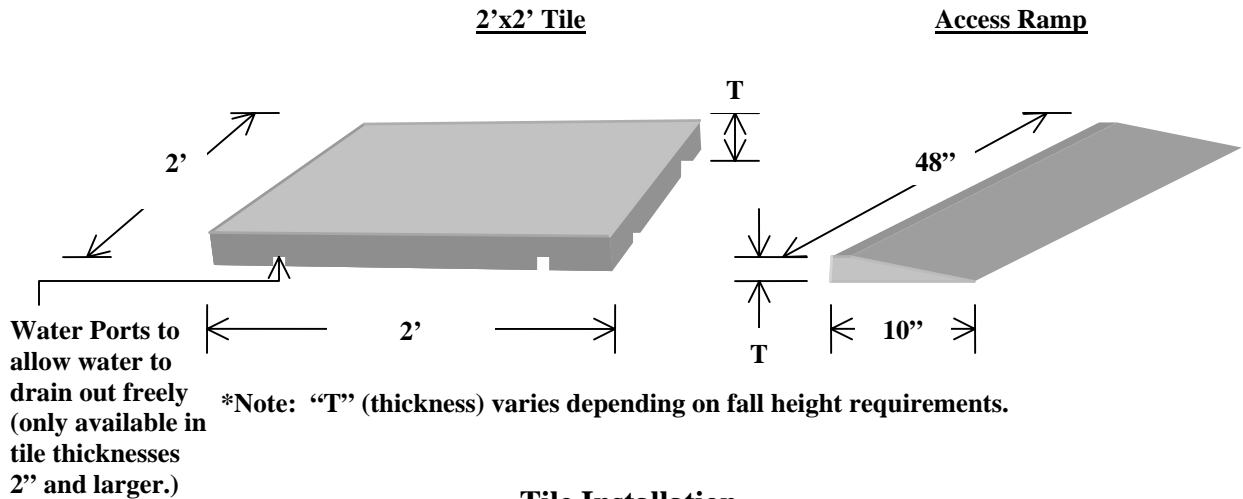
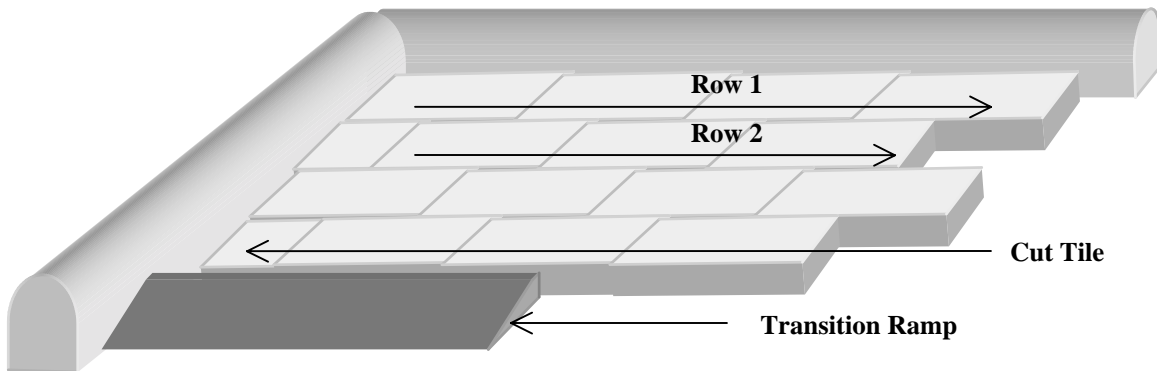


## Tiger Tuff Tile Specifications and Installation Detail



### Tile Installation



### Tile Installation On Bond

1. Begin installation of Row 1 with a full tile
2. After Row 1 is complete, start Row 2 with a full tile. The full tile should be installed @  $\frac{1}{2}$  the width of the first full tile in Row 1.
3. When all full tiles have been installed in Row 2, install the cut tiles.

\*Notes: Always work left to right and complete on row at a time.

